

Universal RidgeFast System

Here to help

Installation

- 1 Lay the roof underlay and battens in the normal manner leaving a minimum 5mm continuous gap in underlay at roof apex (refer to BS 5250 recommendations for specific advice) (Fig. 1).

Before fixing top course tiling batten, fix ridge batten brackets to each rafter, centrally about ridge apex, using the 25mm x 2.65mm dia./s ring shank nails supplied.

Note: Where a ridge tree is in place, a ridge batten bracket may not be required. In this case the ridge tree may be raised in height by fixing appropriately sized lengths of timber centrally to ridge tree.

To achieve required height of ridge batten bracket, legs of bracket need to lie parallel to rafters bent at a position where they will provide a minimum 20mm penetration of the ridge screw into a 25mm thick ridge batten. For all Marley tiles and slates, please refer to 'RidgeFast batten height setting table'.

To establish the appropriate point at which to bend legs of ridge batten bracket and depth of ridge batten (1 or 2 tiling battens) a short length of top tiling batten should be temporarily nailed into place either side of ridge and onto which a tile is laid. Position a ridge tile centrally onto roof tiles. By offering up a ridge batten bracket to the side of ridge tile bend point and batten thickness can be assessed so that minimum 20mm screw penetration is achieved.

For further clarification please contact Marley Technical Advisory Service.
- 2 Fix the top course tiling battens into position, over the ridge batten brackets, leaving approximately 45mm between the rafter apex and the tiling batten to ensure 75mm of ridge tile overlap (Fig. 2).

For RidgeFast bracket settings, see overleaf.
- 3 Place the ridge batten(s) along length of ridge between the perforated straps of ridge batten brackets. Bend over the straps and nail each securely to the ridge batten using the nails supplied. Joints in ridge batten should be made half way across a ridge batten bracket to ensure the ends are secured (Fig. 3).

It is recommended that the ridge batten is finished at either end of the ridge, a little beyond the outer edge of gable end tiles. This will allow for trimming back in accordance with requirements of the chosen ridge end treatment. Where a bedded verge is used, the ridge batten should be cut back by 100mm from the face of mortar.

With the ridge batten(s) secured to the ridge batten brackets at each rafter, lay and fix the roof tiles in the normal manner.
- 4 Unroll RidgeFast roll centrally along entire length of ridge batten and fix at approximately 2 metre centres to ridge batten using felt nails. Overlap roll ends by 100mm at each joint. At gable ends, roll should be able to lap over the edge of gable tile/verge finish by approximately 50mm (where a bedded verge is used it should be cut back by 50mm) (Fig. 4).
- 5 Remove release paper covering mastic strip on underside of corrugations on both sides of roll.

Ensure area of top course tiles to which RidgeFast roll is to be adhered is dry and clean before proceeding (Fig. 5).
- 6 Firmly press corrugations onto tiles on both sides along length of the ridge. With profiled tiles, it is best to adhere mastic to the top of profile either side of tile pan first, to ensure an even spread of corrugated strip across roof (Fig. 6).
- 7 Lay first ridge tile in correct relative position to gable end and secure to ridge batten, either directly through ridge tile with appropriate fixing, or through ridge end cap.

Select a ridge union, a union clamp and 75mm x 4.8mm s/s screw. Fit a union clamp into the central slot in the ridge union and offer up the assembly into the open end of the ridge tile so that it is trapped between the clamp and the union flange. Ensure it is centrally aligned with the ridge batten. Where the ends of the union overlap the edges of the ridge tile, cut off or fold inward, the excess length along the crease lines at either end (Fig. 7). Engage the next ridge tile so that it is trapped between the union clamp and ridge union flange.
- 8 When the union clamp is fully engaged in the ridge union, it may create an interference fit with the sub-structure. In this case, the protruding length of the clamp can be snapped off or folded below the ridge union flange (Fig. 8).
- 9 Push ridge tile firmly into position and secure ridge union assembly to ridge batten by fixing screw through hole in union clamp using a pozidrive No. 2 screw bit (Fig. 9).
- 10 Repeat this process along ridge line, ensuring screws are not over-tightened. The ridge line should be finished with a full-length ridge tile. The minimum length of any cut ridge tile should be no less than 250mm (Fig. 10).

Universal RidgeFast with Lincoln

When using Lincoln clay interlocking tiles with 375mm clay half round ridges, a 375mm clay ridge end tile, which is pre-holed for fixing, should be used at the gable ends (Fig. 11).

100mm x 4.8mm screw packs for deep ridges should be used for fixing the union clamps.

Ventilated ridge terminal/ gas vent ridge terminal

For both applications, ensure the ridge is covered with segmental ridge tiles to facilitate the fixing of the ridge union clamp.

Where a ridge vent terminal is installed at the ridge it will be necessary to either trim the ridge board or cut the ridge batten to allow the extension box to enter the roof void. Where a gas vent ridge terminal is used, ensure that all timbers are cut to provide a 25mm gap around the flue extension box.

To comply with Building Regulations it is necessary to prevent noxious gases and fumes from entering the roof void from the ridge terminal so the ventilation holes either side of the ridge roll need to be blanked off along a two metre length.

2 metre long x 75mm wide blanking strips available in the ridge vent terminal accessory pack should be used for this purpose.

Cut a hole in the RidgeFast roll to correspond with the position of the ridge vent terminal extension box. Peel off the backing tape from the blanking strips and apply over the vent holes either side of the RidgeFast roll equidistant about the centre of the terminal. Fit the ridge union and adjacent ridge tiles in the normal manner.

It is recommended that the blanking strips are adhered to the RidgeFast roll on a flat even surface prior to offering to the roof. This will help to provide a secure, even bond.

Ridge Abutments

At an abutment, ensure the RidgeFast roll is turned up the wall by 75mm, with the end ridge tile drilled and screw fixed. A Code 4/5 lead saddle should be fitted over the ridge tile in accordance with LSA recommendations.

Junctions

At ridge/hip junctions, the ridge batten should be cut 50mm beyond the apex of the hip rafters and the ridge. Turn down the RidgeFast roll over the top of the roof tiles on the hip end by 75mm. A code 4/5 lead saddle should be fitted between the RidgeFast roll and the ridge/hip tiles, with a welt formed along the edges under the ridge and hip tiles. The end ridge tile should be cut to a neat mitre with the hip tiles mechanically fixed (see gable end fixing).

Where an 'L shaped' junction occurs, ensure that the RidgeFast roll is lapped prior to the lead saddle being fitted. Form a welt along the edges of the lead saddle where it is fitted under the ridge and hip tiles. Mitre cut the end ridge tiles prior to fitting with screws and washers.

Where a 'T shaped' ridge junction occurs, or where a dormer ridge intersects the main roof, the Ridgefast construction should not cross the valley. A lead saddle (Code 4/5) should be fitted prior to the roof tiles being laid. The Ridgefast roll should be rolled out along the head of the T shape, with the corrugated edge stuck to the surface of the lead saddle (Code 4/5). The Ridgefast roll on the leg of the 'T' shaped junction or dormer intersection, should finish 50mm back from the face of any mortar bedding. The end ridge tile should be mechanically fixed.

RidgeFast batten height setting

First figure gives ridge batten height (in mm), figure in brackets gives hole positions at which ridge batten bracket legs are bent to fix to rafter (see Fig. 12)

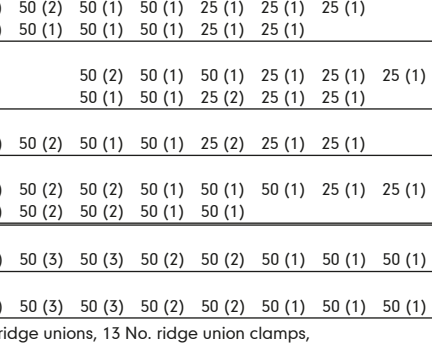
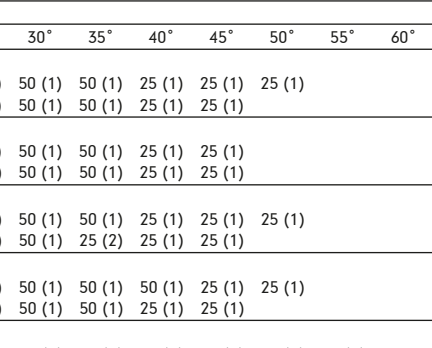
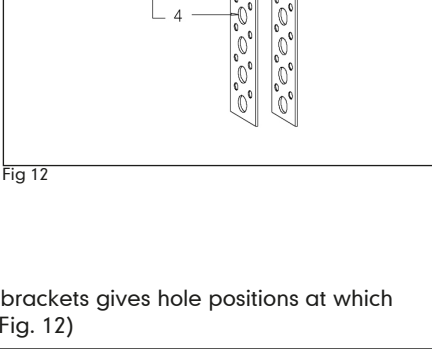
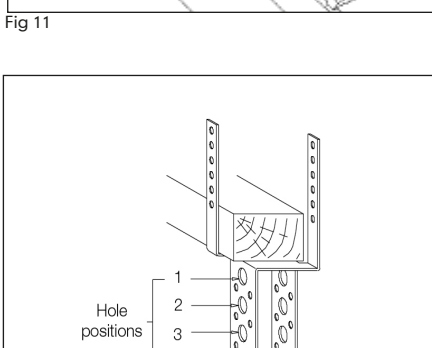
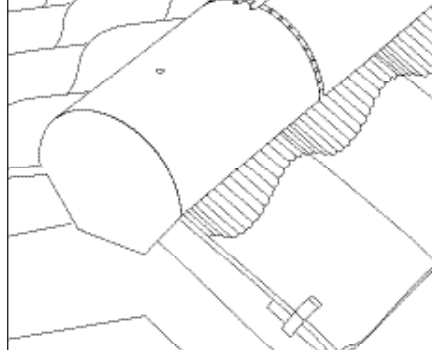
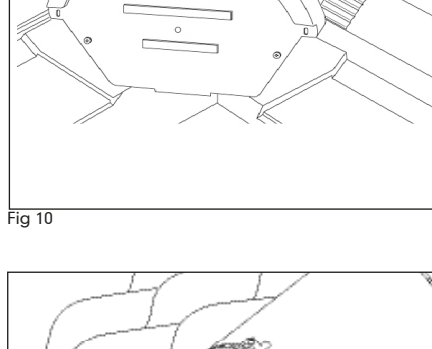
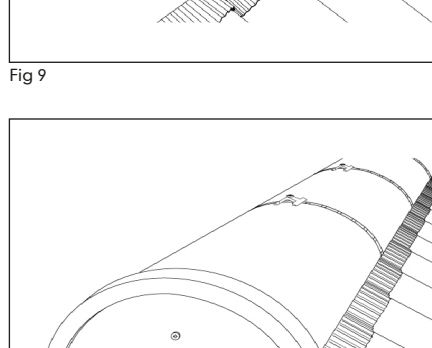
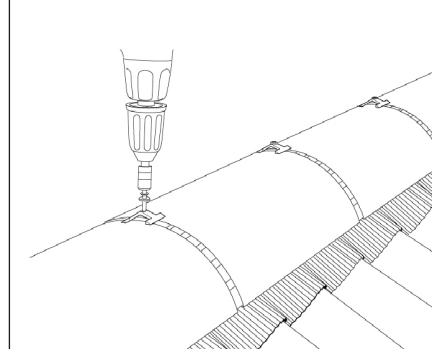
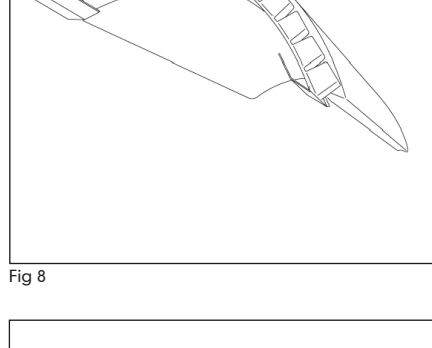
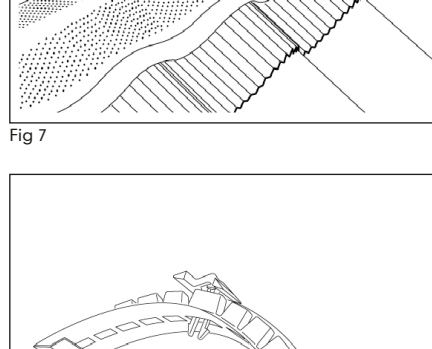
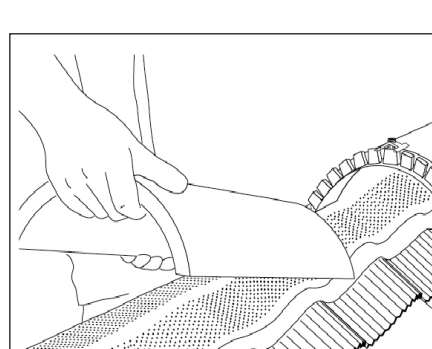
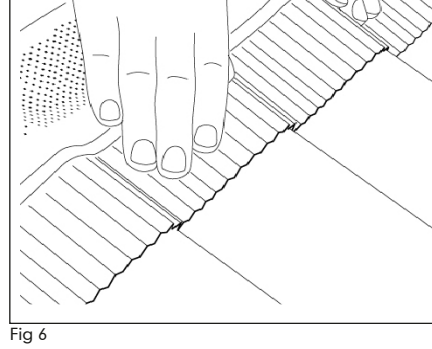
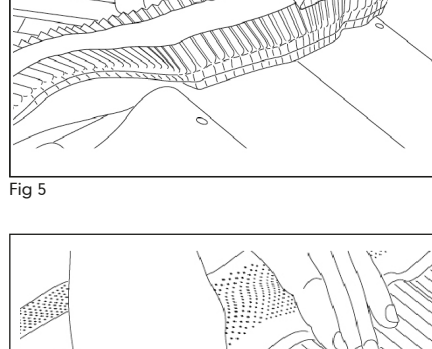
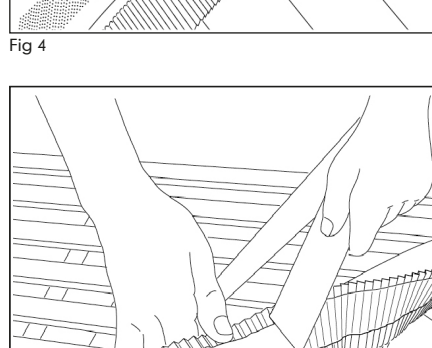
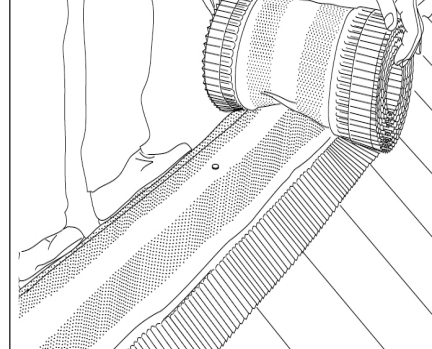
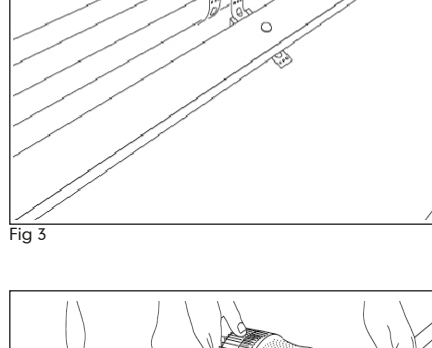
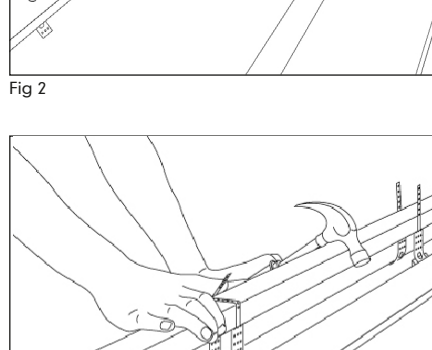
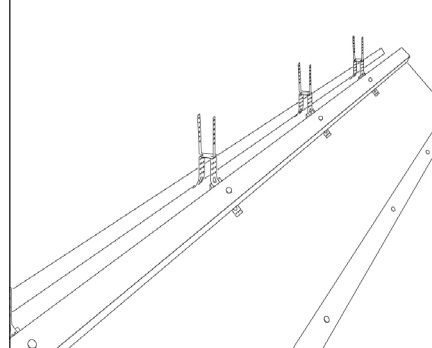
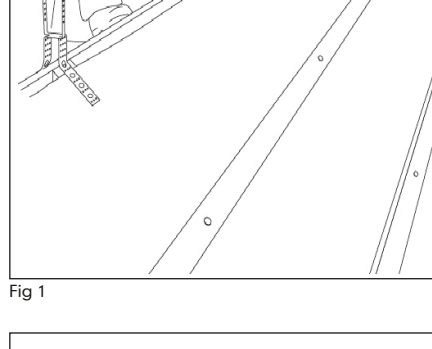
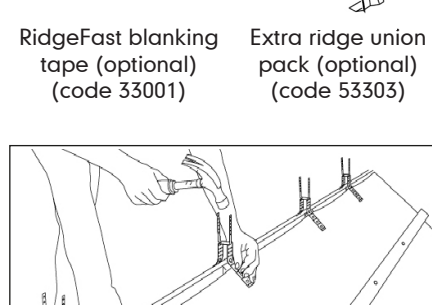
Tile or slate and ridge type	Roof pitch											
	12.5°	15°	17.5°	22.5°	25°	30°	35°	40°	45°	50°	55°	60°
Edgemere/Duo Edgemere												
Segmental Ridge			50 (2)	50 (1)	50 (1)	50 (1)	50 (1)	25 (1)	25 (1)	25 (1)		
Modern Ridge			50 (2)	50 (1)	50 (1)	50 (1)	50 (1)	25 (1)	25 (1)			
Ashmore												
Segmental Ridge				50 (1)	50 (1)	50 (1)	50 (1)	25 (1)	25 (1)			
Modern Ridge				50 (1)	50 (1)	50 (1)	50 (1)	25 (1)	25 (1)			
Modern/Duo Modern												
Segmental Ridge			50 (2)	50 (1)	50 (1)	50 (1)	50 (1)	25 (1)	25 (1)	25 (1)		
Modern Ridge			50 (2)	50 (1)	50 (1)	50 (1)	50 (1)	25 (2)	25 (1)	25 (1)		
Ludlow Plus												
Segmental Ridge				50 (2)	50 (2)	50 (1)	50 (1)	50 (1)	25 (1)	25 (1)		
Modern Ridge				50 (2)	50 (2)	50 (1)	50 (1)	25 (1)	25 (1)			
Ludlow Major												
Segmental Ridge				50 (2)	50 (2)	50 (2)	50 (1)	50 (1)	25 (1)	25 (1)	25 (1)	
Modern Ridge				50 (2)	50 (2)	50 (1)	50 (1)	50 (1)	25 (1)	25 (1)		
Concrete Plain tile												
Segmental Ridge								50 (1)	50 (1)	25 (1)	25 (1)	25 (1)
Modern Ridge								50 (2)	50 (1)	25 (2)	25 (1)	25 (1)
Double Roman												
Segmental Ridge			50 (3)	50 (2)	50 (2)	50 (2)	50 (1)	50 (1)	25 (2)	25 (1)	25 (1)	
Mendip and Wessex												
Segmental Ridge		50 (3)	50 (3)	50 (3)	50 (3)	50 (2)	50 (2)	50 (1)	50 (1)	50 (1)	25 (1)	25 (1)
Modern Ridge		50 (3)	50 (3)	50 (3)	50 (2)	50 (2)	50 (2)	50 (1)	50 (1)			
Anglia Plus												
Segmental Ridge		50 (4)	50 (4)	50 (3)	50 (3)	50 (3)	50 (3)	50 (2)	50 (2)	50 (1)	50 (1)	50 (1)
Lincoln												
Segmental Ridge		50 (4)	50 (3)	50 (3)	50 (3)	50 (3)	50 (3)	50 (2)	50 (2)	50 (1)	50 (1)	50 (1)

* Kit contains: 1 No. 6m length ridge roll, 10 No. batten brackets, 13 No. ridge unions, 13 No. ridge union clamps, 13 No. 75mm x 4.8mm s/s screws, 40 No. 25mm x 2.65mm s/s ARS nails

Components



Also available



Tell me more

Call 08705 626400

Email info@marley.co.uk

